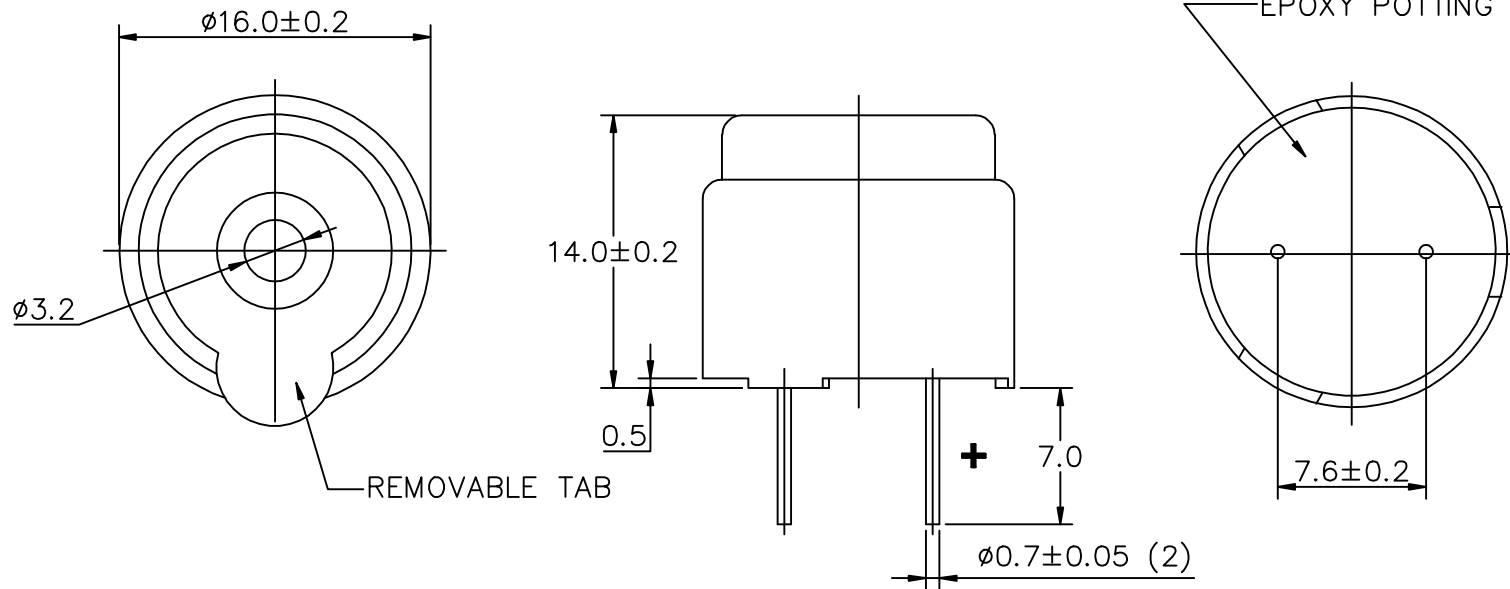


THIS DOCUMENT CONTAINS DATA PROPRIETARY TO PROJECTS UNLIMITED, INC. ANY USE OR REPRODUCTION, IN ANY FORM, WITHOUT PRIOR WRITTEN PERMISSION OF PROJECTS UNLIMITED, INC. IS PROHIBITED.
 ©2003, Projects Unlimited Inc.

SPECIFICATIONS

PARAMETERS	VALUES	UNITS
RATED VOLTAGE (SQUARE WAVE)	12	V _{p-p}
OPERATING VOLTAGE RANGE	9 ~ 15	V _{p-p}
RATED CURRENT (MAX)	40	mA
COIL RESISTANCE	115±12	OHM
MINIMUM SPL @ 10 CM	85	dB
RESONANT FREQUENCY	2,048±500	Hz
OPERATING TEMPERATURE	-20 ~ +70	°C
STORAGE TEMPERATURE	-30 ~ +80	°C
HOUSING MATERIAL	NORYL	-
TERMINAL MATERIAL	Sn PLATED COPPER	-
WEIGHT	5	grams


REVISIONS			
LTR	DESCRIPTION	DATE	APPROVED
-	RELEASED FROM ENGINEERING	8/13/04	
A	ADDED DIMENSIONS	8/27/04	R. W.
B	REMOVED LEAD FREE ADDED RoHS NOTE	8/10/05	
C	REVISED TERMINAL MATERIAL	3/21/06	
D	REVISED TERMINAL LENGTH	4/17/08	B.R.



NOTES:

1. THIS PART IS RoHS 2002/95/EC COMPLIANT.
2. ALL DIMENSIONS ARE IN MILLIMETERS.
3. SPECIFICATION SUBJECT TO CHANGE OR WITHDRAWAL WITHOUT NOTICE.

FILE NAME
 AT-1620-TWT-12V-R.DWG

UNLESS OTHERWISE SPECIFIED: DIMENSIONS ARE IN MILLIMETERS, TOLERANCES ARE ± 0.5 AND ANGLES ARE $\pm 5^\circ$.		 projects® unlimited Dayton, Ohio	
APPROVALS DRAWN <i>R.A.C.</i> APPROVED <i>R.W.</i>		DATE <i>8/04</i> <i>8/04</i>	
FILE NAME AT-1620-TWT-12V-R.DWG		SIZE A	DRAWING NO. AT-1620-TWT-12V-R
DO NOT SCALE DRAWING		SCALE: N.T.S.	SHEET 1 OF 1